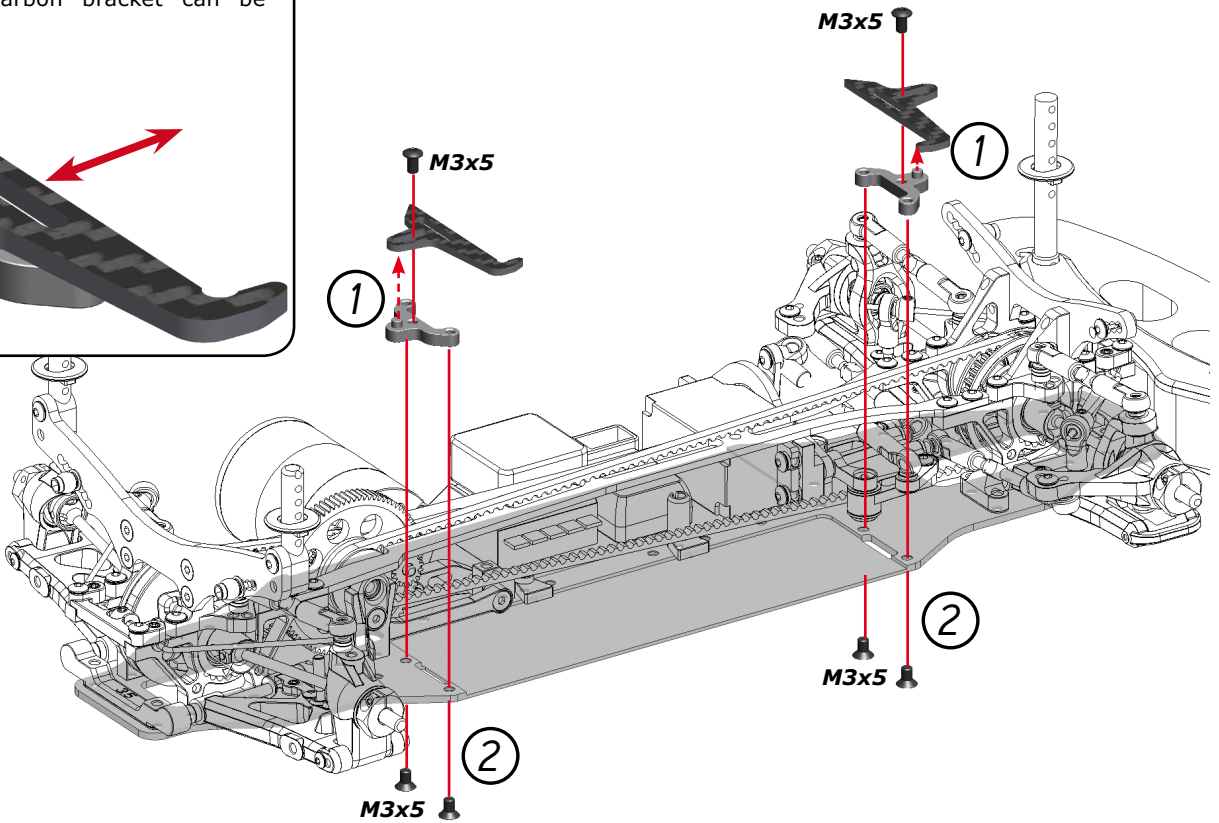
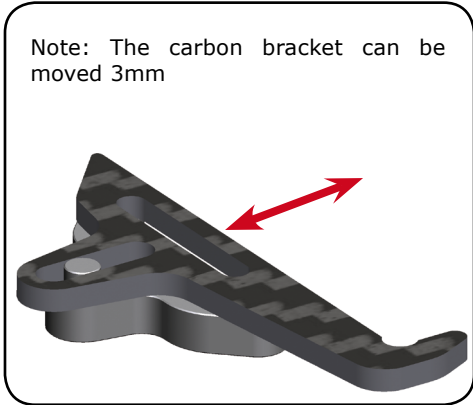


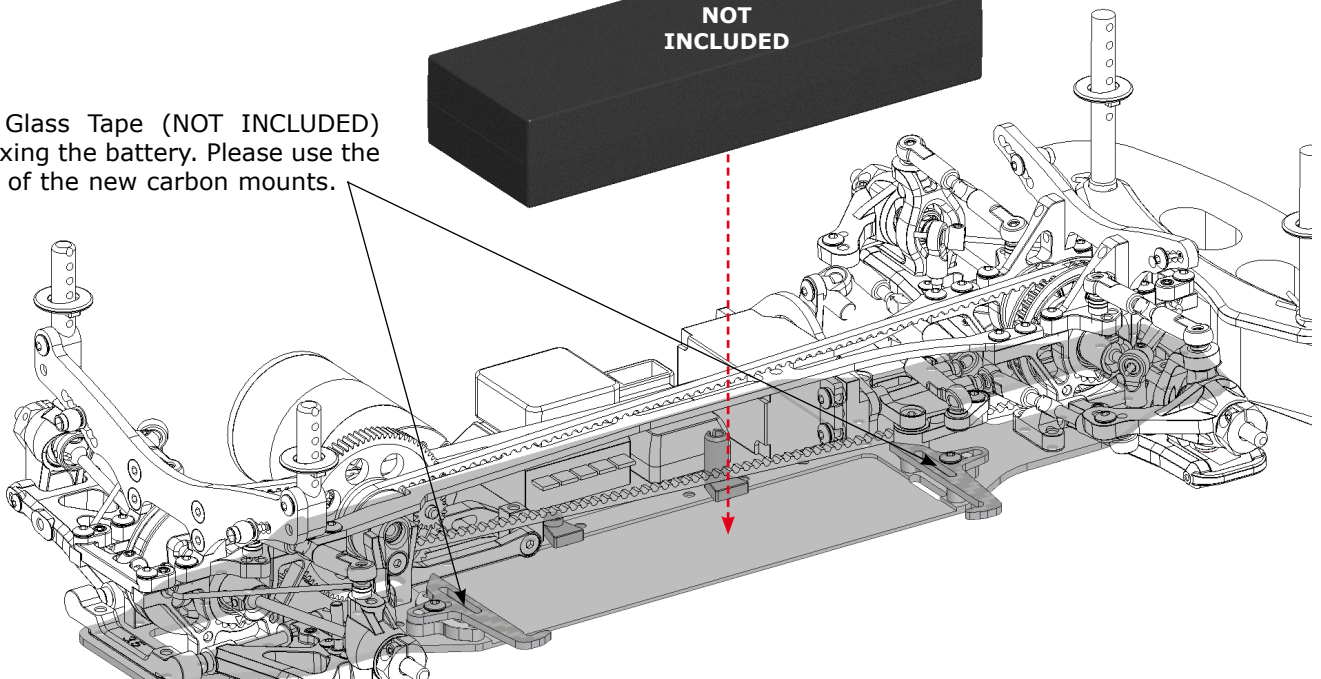
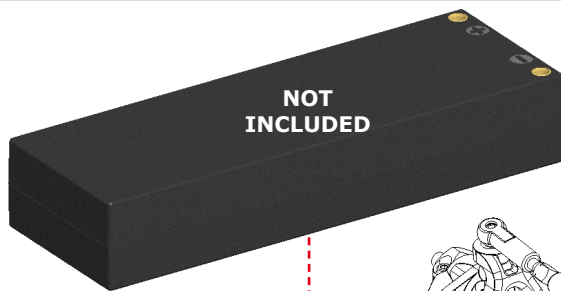
Team Serpent is proud to introduce the new **Adjustable battery mount set S411 (#401627)** for the S411 ERYX platform. Using these new battery mounts you will be able to adjust the weight distribution of your car moving the battery 3mm forward / rearward. Weight distribution has a big effect in car handling and tyre wear.

STEP 1

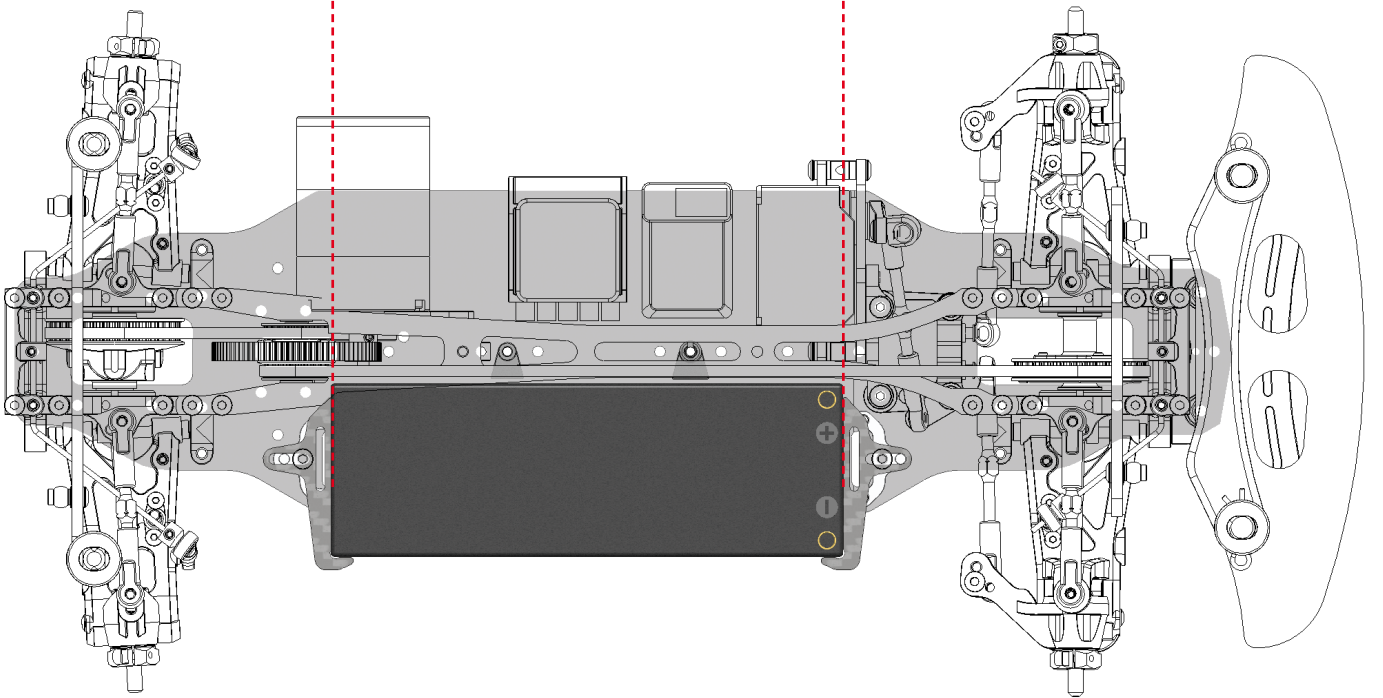
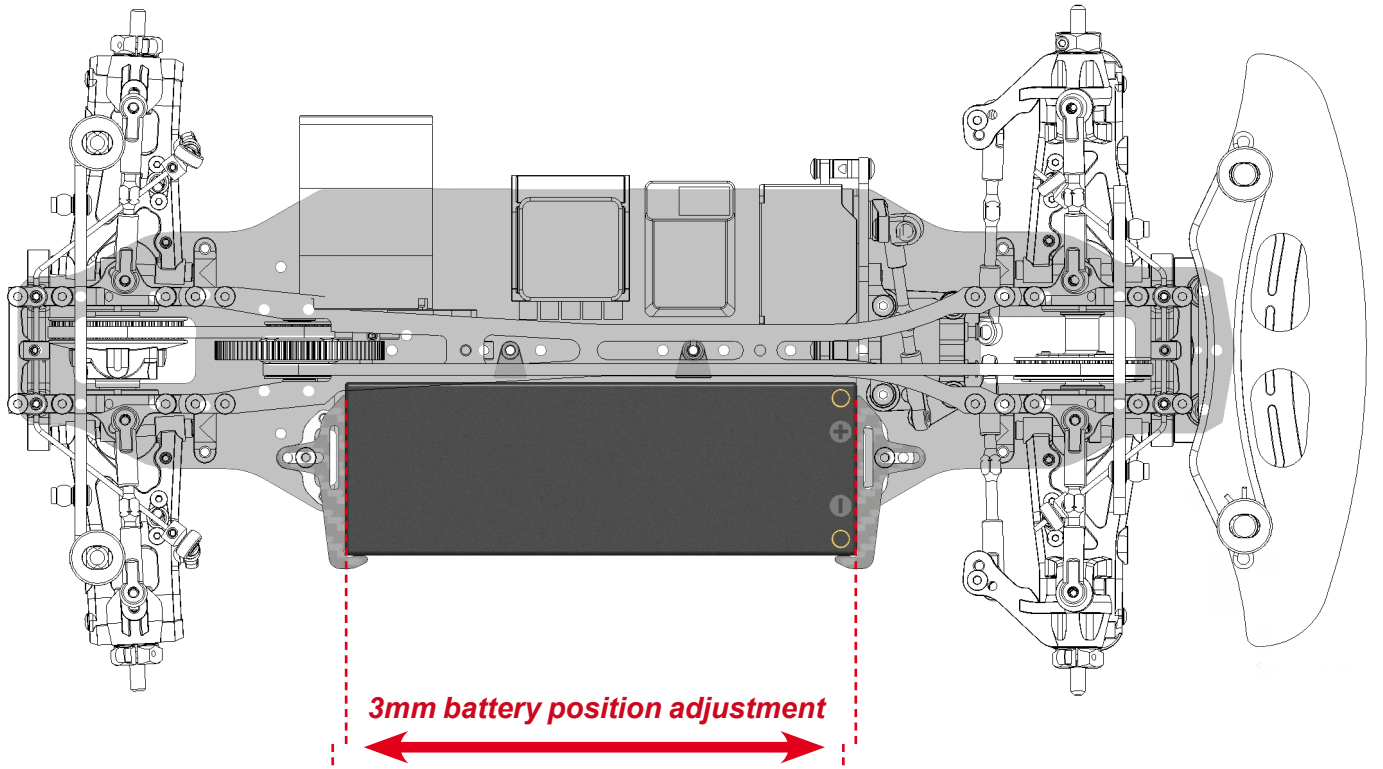


STEP 2

Use Glass Tape (NOT INCLUDED) for fixing the battery. Please use the slots of the new carbon mounts.



Battery in FORWARD position



Battery in REARWARD position